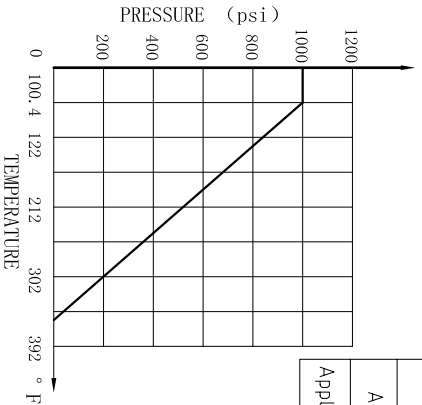
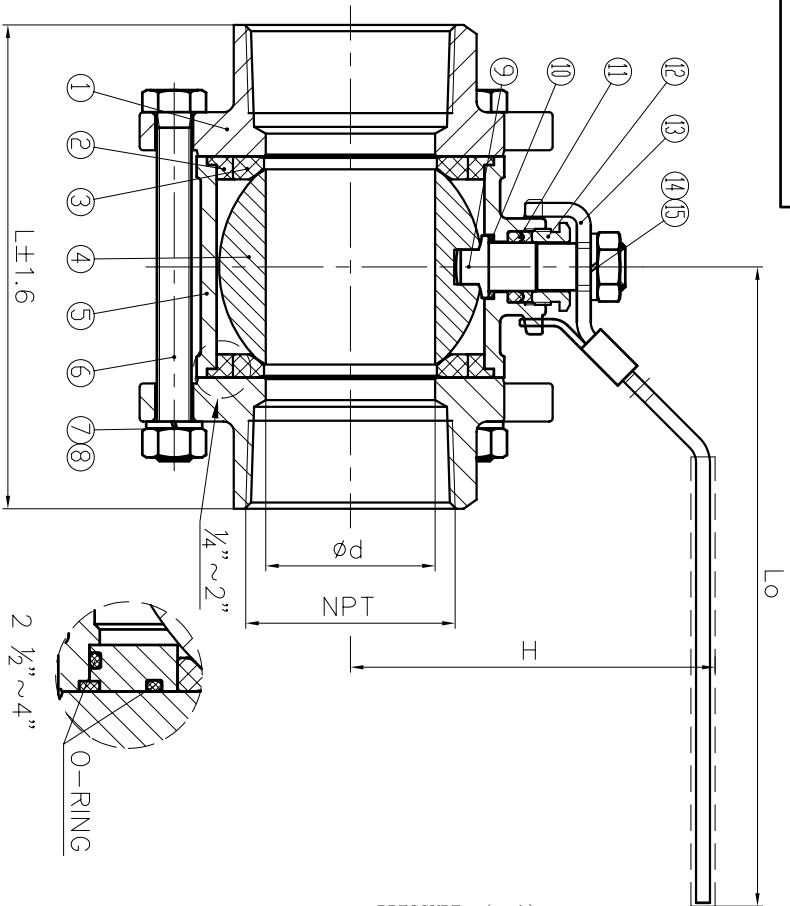


0001/N9R31A/B



NOTE:
 1. Design and Manufacture for valve according to ASME B16.34.
 2. Inspection and Test for valve according to API 598.
 3. The connection of screwed for valve according to ANSI B1.20.1.

Nominal pressure			1000Psi		
Test pressure	Shell test	10.4	Test medium	Water	Test temperature
	Seal test	7.6		temperature	Normal temperature
	Gas seal test	0.6	Air		
Applicable medium			Water, Oil, Gas		
Applicable temperature			-20~356°F		

NPS	L	d	NPT	Lo	H	Weight (lb)
1/4"	2.559	0.433	1/4"	3.740	1.909	0.860
3/8"	2.559	0.453	3/8"	3.740	1.909	0.816
1/2"	2.953	0.591	1/2"	4.134	2.126	1.124
3/4"	3.150	0.768	3/4"	4.724	2.579	1.433
1"	3.543	0.984	1"	5.512	2.835	1.918
1 1/4"	4.331	1.260	1 1/4"	5.906	3.189	3.527
1 1/2"	4.725	1.496	1 1/2"	6.693	3.780	4.277
2"	5.512	1.929	2"	7.283	4.134	6.548
2 1/2"	6.299	2.520	2 1/2"	8.662	4.724	12.236
3"	7.087	3.031	3"	10.630	5.295	17.196
4"	8.465	3.898	4"	12.402	6.181	28.594

15	NUT	1	A194 8
14	SPRING WASHER	1	304
13	HANDLE	1	STAINLESS STEEL
12	GLAND	1	304
11	PACKING	1	RPTFE
10	STEM WASHER	1	RPTFE
9	STEM	1	A276 316
8	NUT	-	A194 8
7	SPRING WASHER	-	304
6	HEXAGON HEAD BOLT	-	A193 B8
5	BODY	1	A351 CF8M
4	BALL	1	SS316
3	SEAT	2	RPTFE
2	GASKET	2	RPTFE
1	BONNET	2	A351 CF8M
NO.	DESCRIPTION	Q'TY	MATERIAL
ANIX®			
MARK BEFORE MODIFIED		AFTER MODIFIED	
DRAWN	DATE	APP.	DATE
ANIX VALVE CO., LTD		3PC Ball Valve	
		1000PSI, NPT, RPTFE Seals	
CHK.		DATE	
		BV13R6N/1000	