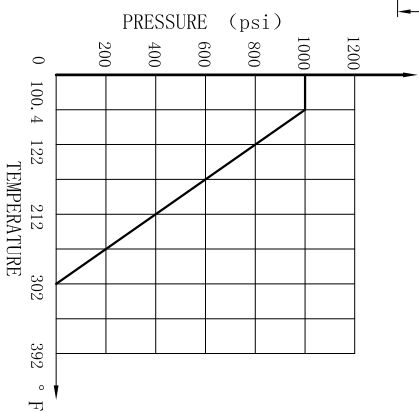


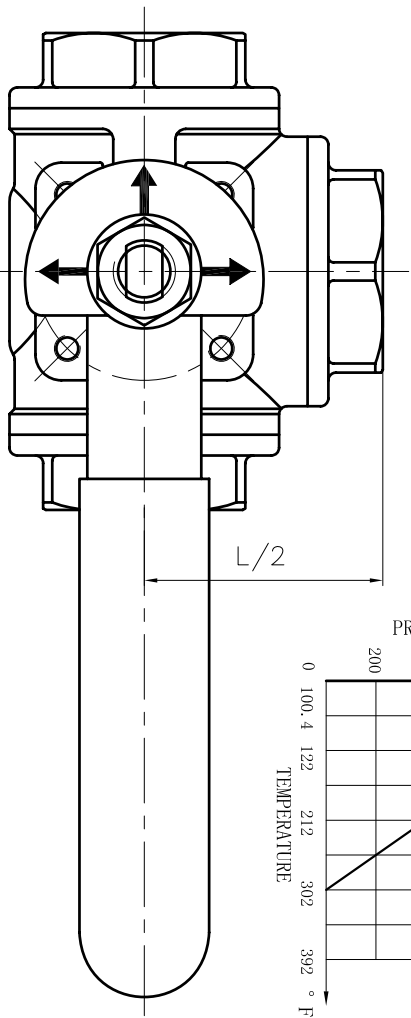
NOTE:
 1. Design and Manufacture for valve according to ASME B16.34.
 2. Inspection and Test for valve according to API 598.
 3. The connection of screwed for valve according to ANSI B1.20.1.



Nominal pressure	1000Psi		Test medium	Water temperature	Normal temperature
	Shell test	10.4			
Test pressure	Seal test	7.6	Air		
	Gas seal test	0.6			
Applicable medium			Water, Oil, Gas		
Applicable temperature			-20~302°F		

NPS	L	d	NPT	Lo	H	Weight (lb)
1/4"	2.795	0.394	1/4"	3.937	2.244	1.323
3/8"	2.795	0.394	3/8"	3.937	2.244	1.257
1/2"	2.913	0.472	1/2"	4.331	2.303	1.268
3/4"	3.465	0.591	3/4"	4.724	2.362	1.995
1"	3.622	0.787	1"	5.512	2.835	2.646
1 1/4"	4.882	0.984	1 1/4"	5.512	3.228	5.027
1 1/2"	5.433	1.260	1 1/2"	7.087	3.740	7.760
2"	6.063	1.496	2"	7.874	3.937	9.921

13	INDICATOR BOARD	1	304		
12	NUT	1	A194 8		
11	WASHER	1	304		
10	HANDLE	1	STAINLESS STEEL		
9	GLAND	1	304		
8	PACKING	1	PTFE		
7	STEM WASHER	1	PTFE		
6	STEM	1	A276 316		
5	BODY	1	A351 CF8M		
4	BALL	1	SS316		
3	SEAT	4	PTFE		
2	GASKET	3	PTFE		
1	BONNET	3	A351 CF8M		
NO.	DESCRIPTION	Q'TY	MATERIAL		



		ANIX VALVE CO., LTD	
		3 Way T Port Ball Valve 1000PSI, NPT	
MARK BEFORE MODIFIED	AFTER MODIFIED	DATE	SCALE
DRW.	APP.		
CHK.	DATE		
			BV15F6N/1000