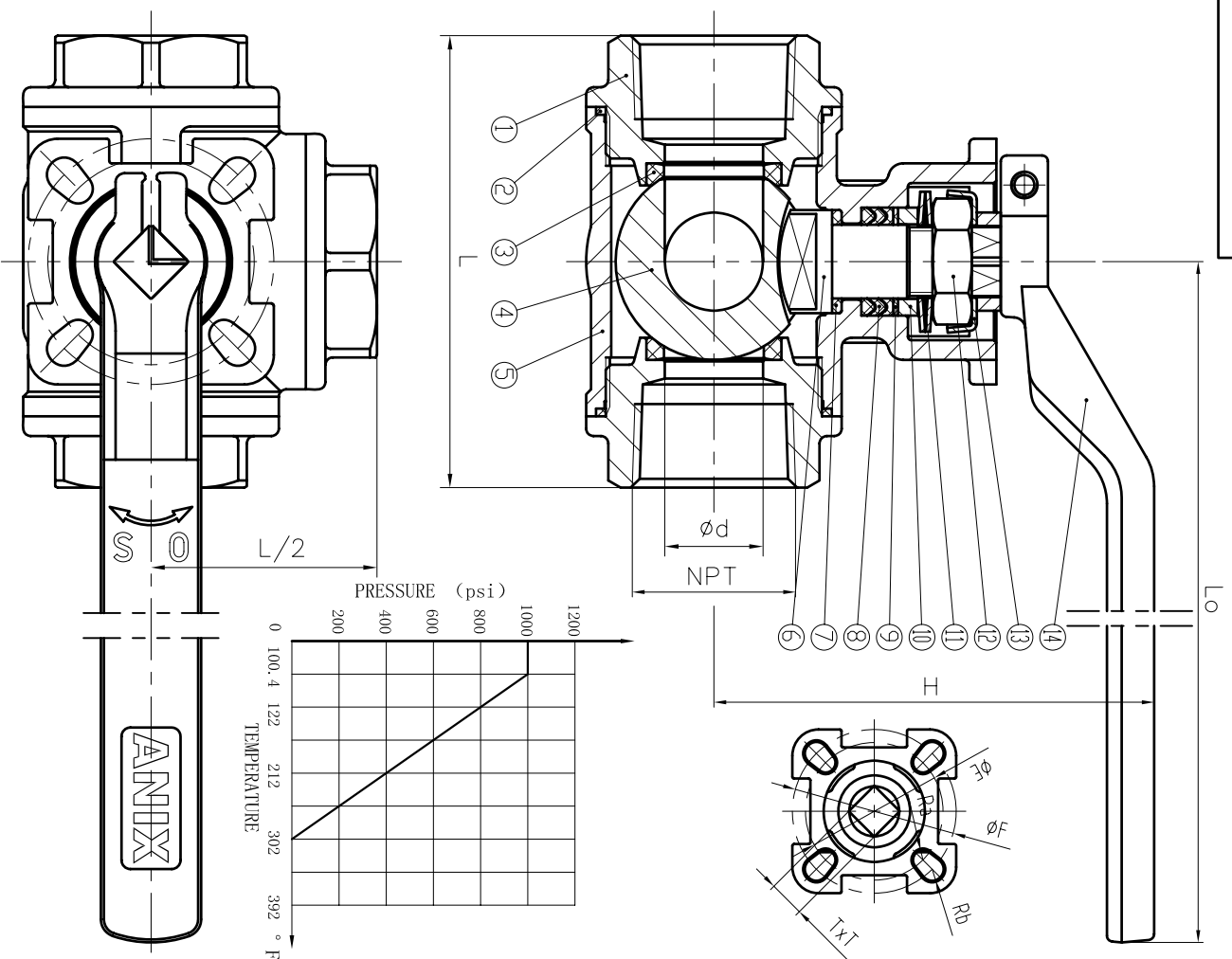


0001 /N9FH1HAB



- NOTE:
1. Design and Manufacture for valve according to ASME B16.34.
  2. Inspection and Test for valve according to API 598.
  3. The connection of screwed for valve according to ANSI B1.20.1.

NO.	DESCRIPTION	QTY	MATERIAL	Nominal pressure					1000Psi								
				Shell test	Seal test	Gas seal test	Test medium	Water temperature	Test temperature	Normal temperature	Shell test	Seal test	Gas seal test	Test medium	Water temperature	Test temperature	Normal temperature
				Applicable medium					Water, Oil, Gas								
				Applicable temperature					-20~302°F								
NPS	L	d	NPT	Lo	H	E	F	a	b	TxT	Weight (lb)						
1/2"	2.913	0.472	1/2"	5.118	2.638	1.417	1.654	0.118	0.118	0.354x0.354	1.422						
3/4"	3.465	0.591	3/4"	5.118	2.756	1.417	1.654	0.118	0.118	0.354x0.354	2.094						
1"	3.622	0.787	1"	5.906	3.386	1.654	1.969	0.118	0.138	0.433x0.433	2.976						
1 1/4"	4.882	0.984	1 1/4"	5.906	3.622	1.654	1.969	0.118	0.138	0.433x0.433	5.423						
1 1/2"	5.433	1.260	1 1/2"	8.268	4.291	1.969	2.756	0.138	0.177	0.551x0.551	8.267						
2"	6.063	1.496	2"	8.268	4.409	1.969	2.756	0.138	0.177	0.551x0.551	10.692						
14	HANDLE			STAINLESS STEEL													
13	LOCATOR			304													
12	NUT			A194 8													
11	DISH SPRING			301													
10	GLAND			304													
9	GRAPHITE PACKING			304													
8	PACKING			PTFE													
7	STEM WASHER			PTFE													
6	STEM			A276 316													
5	BODY			A351 CF8M													
4	BALL			SS316													
3	SEAT			PTFE													
2	GASKET			PTFE													
1	BONNET			A351 CF8M													
ANIX VALVE CO., LTD				3 Way L Port				Ball Valve 1000PSI, NPT				High Mounting Pad					
ANIX®				SCALE				BYH14F6N/1000									
MARK	BEFORE MODIFIED	AFTER MODIFIED	DATE														
DRAW		APP.	DATE														
CHK.			DATE														